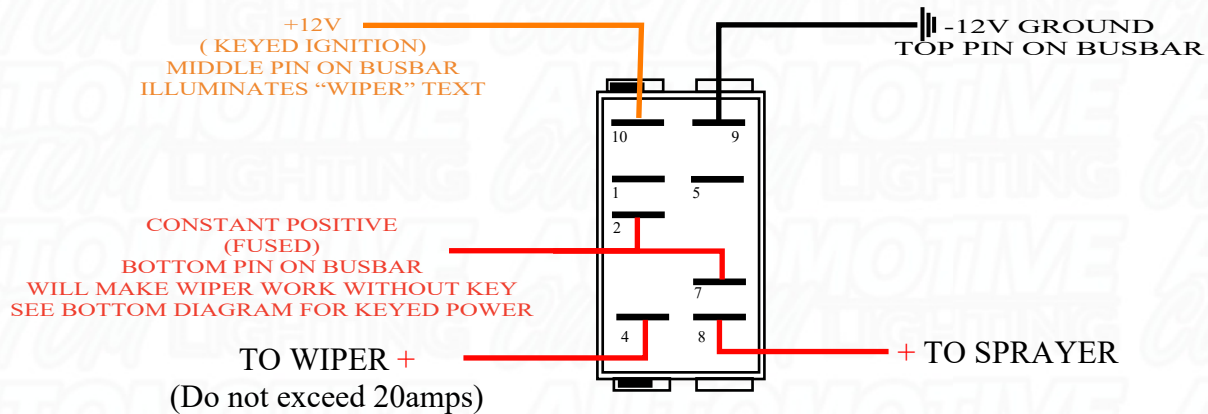


AUTOMOTIVE CUSTOM LIGHTING

L-SERIES WIPER SWITCH DIAGRAM

OFF / ON / MOMENTARY

WIRE AT YOUR DISCRETION. AUTOMOTIVE CUSTOM LIGHTING
IS NOT LIABLE FOR ANY DAMAGES FOLLOWING THE USE OF THESE DIAGRAMS
SOME WIPER MOTORS MAY PULL HIGHER AMPERAGE, THE USE OF A RELAY MAYBE NEEDED
FAILURE TO FOLLOW SAFE WIRING AND AMPERAGE RATING COULD RESULT IN DAMAGE



DO NOT EXCEED 10 AMPS ON THE KEYED POWER. WIPER MOTOR MUST BE POWERED BY A RELAY / INTERNAL SOLENOID. IF NO RELAY IS USED, YOU MAY BLOW THE KEYED POWER FUSE. USE ABOVE DIAGRAM INSTEAD.

